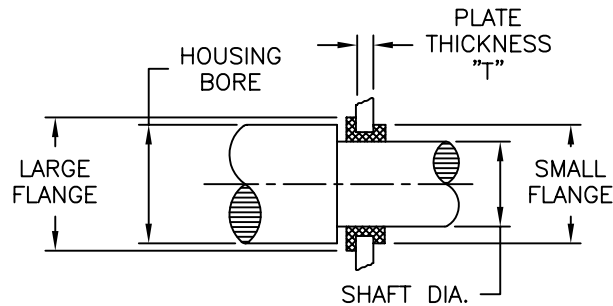


BEARING NUMBER	MAXIMUM SHAFT DIA.	*MINIMUM HOUSING BORE	BEARING I.D.** +.003 -.000	FLANGE DIAMETER ±1/64		BEARING LENGTH "L"+1/64 -.000	RECOMMENDED PLATE THICKNESS "T"
				"F"	"S"		
R2L1-C	.125	.1718	.1260	1/4	3/16	.078	.040 TO .075
R2L2-C							
R3L1-C	.1875	.2343	.1885	5/16	1/4	.078	.040 TO .075
R3L2-C							
R4L1-C	.250	.3125	.2510	7/16	11/32	.078	.040 TO .075
R4L2-C							
R5L1-C	.3125	.3750	.3135	1/2	13/32	.078	.040 TO .075
R5L2-C							
R6L1-C	.375	.4375	.3760	9/16	15/32	.078	.040 TO .075
R6L2-C							
R7L1-C	.4375	.500	.4385	5/8	17/32	.078	.040 TO .075
R7L2-C							
R8L1-C	.500	.5625	.5010	11/16	19/32	.078	.040 TO .075
R8L2-C							
R10L1-C	.625	.6875	.6260	7/8	23/32	.078	.040 TO .075
R10L2-C							
R12L1-C	.750	.8125	.7510	1	27/32	.078	.040 TO .075
R12L2-C							

\* THE MINIMUM CLEARANCE FOR MODEL "C" SNAP-IN BEARINGS IS .001". HOWEVER, SNAP IN BEARINGS CAN BE USED WITH SHAFT DIAMETERS A FEW THOUSANDS LARGER OR SMALLER THAN SHOWN IF HOUSING BORE IS VARIED A CORRESPONDING AMOUNT.

\*\* WHEN INSTALLED IN HOUSING BORE DIAMETER SHOWN.



NOTES:

1. MATERIAL: NYLON 6/6 (RMS-48).
2. COLOR: WHITE.
3. MAX. CONTINUOUS NON-LUBRICATED OPERATION: 500 RPM.

TITLE: MODEL C: SNAP-IN BEARING			DWG IN INCHES		FINAL	
C	UPDATED PRINT; ADDED NOTE "THE..." AND NOTE 3.	SM 02.25.02	TOLERANCES UNLESS NOTED	FILE # RXLX-A,B,C	DWN: P.B.	APP:
B	CHANGED FILE NO. AND TITLE BLOCK	SM 11.09.01	.XX=±.010	MAT'L: SEE NOTES	DT: 05-05-94	DT:
A	DIM L CHANGED; FRACTIONS REMOVED FROM MAX SHAFT DIA AND MIN HOUSING BORE COLUMNS; ASTERISKS ADDED	PB 111694	.XXX=±.005	RE: RICHCO, INC.	RICHCO INC. PO BOX 804238, CHICAGO, 60680 (773) 539-4060	
REV	DESCRIPTION	ENGR DATE	FRAC=±1/64	PART # SEE TABLE		PRINT TYPE CA
			ANG=±1'			